

HARRIMAN

AUBURN PORTLAND PORTSMOUTH BOSTON

DOVER SCHOOL DISTRICT
ALTERNATIVE SCHOOL
VESTIBULE SECURITY
RENOVATION

DOVER, NEW HAMPSHIRE

Harriman Project No. 18359

Key Plan Proj North



SPECIFICATIONS:

ALL WORK SHALL CONFORM TO ALL STATE AND LOCAL CODES AND ORDINANCES AS OF DATE OF PERMIT. GENERAL CONTRACTOR SHALL OBTAIN PROPER PERMITS AND ALLOW ACCESS TO LOCAL AUTHORITIES FOR INSPECTIONS. PERMIT COST ASSUMED TO BE WAIVED DUE TO BEING A PUBLIC PROJECT.

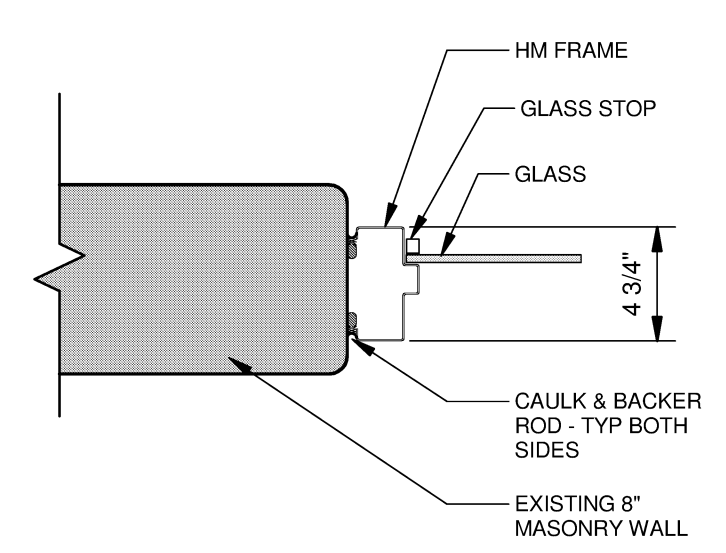
STATE OF NEW HAMPSHIRE CURRENT BUILDING CODES STATUTORY AUTHORITY: RSA 155-A: 10 INCLUDING AMENDMENTS TO THE STATE BUILDING CODE MANUALS RULES BCR 301 PURPOSE BCR 302 DEFINITIONS OF TERMS BCR 303 INTERNATIONAL BUILDING CODE 2009 BCR 304 INTERNATIONAL PLUMBING CODE 2009 BCR 305 INTERNATIONAL MECHANICAL CODE 2009 BCR 306 INTERNATIONAL ENERGY CONSERVATION CODE 2009 BCR 307 NATIONAL ELECTRICAL CODE 2014 BCR 309 INTERNATIONAL EXISTING BUILDING CODE 2009

HOLLOW METAL DOORS AND FRAMES
A. MANUFACTURERS: COMPLIANCE WITH PRODUCTS BY ONE OF THE FOLLOWING: CECO DOOR PRODUCTS; AN ASSA ABLOY GROUP COMPANY, CURRIES COMPANY; AN ASSA ABLOY GROUP COMPANY, STEELCRAFT; AN INGERSOLL-RAND COMPANY. PROVIDE HARDWARE REINFORCEMENT ON DOORS AND FRAMES IN ACCORDANCE TO ANSISDI A250.6
B. PROVIDE DOORS OF DESIGN INDICATED, NOT LESS THAN 1-3/4" THICKNESS FABRICATED WITH SMOOTH SURFACES, WITHOUT VISIBLE JOINTS OR SEAMS ON EXPOSED FACES. COMPLY WITH ANSISDI A250.8 UNLESS MORE STRINGENT REQUIREMENTS ARE SPECIFIED.
C. THERMAL-RATED (INSULATED) EXTERIOR DOORS FABRICATED WITH THERMAL-RESISTANCE VALUE (R-VALUE) OF NOT LESS THAN 11.1 DEG F X H X SQ. FT./BTU WHEN TESTED ACCORDING TO ASTM C 518.
D. HOLLOW METAL FRAMES: COMPLY WITH ANSISDI A250.8 AND WITH DETAILS INDICATED FOR TYPE AND PROFILE WITH CONCEAL FASTENINGS, UNLESS OTHERWISE INDICATED.
EXTERIOR FRAMES: FABRICATED FROM METALLIC-COATED STEEL SHEET
C. INTERIOR FRAMES: FABRICATED FROM COLD-ROLLED STEEL SHEET, FABRICATE FRAMES WITH MITERED OR COPED CORNERS AND SEAMLESS FACE JOINTS. FABRICATE FRAMES AS FACE WELDED. CORRIDOR DOORS WITH "KERF SMOKE SEALS" FRAMES FOR LEVEL 3 STEEL DOORS: 0.053-INCH-THICK, 16 GAUGE, STEEL SHEET. FRAMES FOR WOOD DOORS: 0.053-INCH-THICK, 16 GAUGE, STEEL SHEET. ALL WELDED JOINTS SHALL BE GROUND AND DRESSED TO BE SMOOTH, FLUSH, AND INVISIBLE.

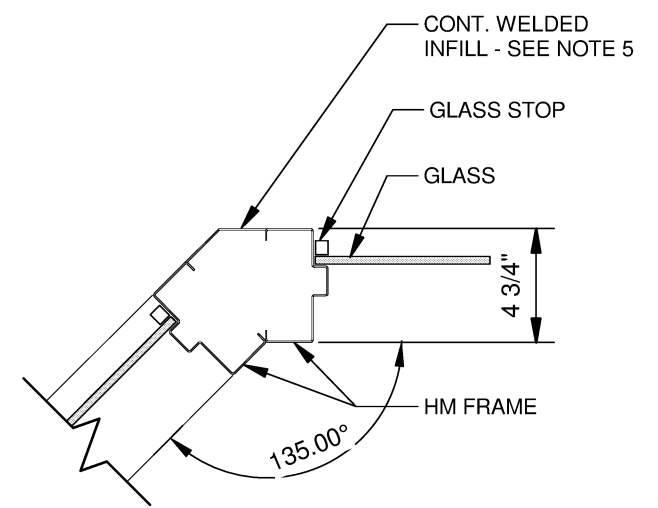
GLAZING
A. SAFETY GLASS (FULLY TEMPERED): ASTM C 1048; KIND FT (FULLY TEMPERED), CONDITION A (UNCOATED), TYPE I (TRANSPARENT FLAT GLASS); CLASS 1 (CLEAR); QUALITY Q3 (GLAZING SELECT); CONFORMING TO ANZI A97.1.
B. MANUFACTURERS ONE OF THE FOLLOWING: Guardian Industries Corporation, Pilkington North America, Inc., PPG Industries, Inc.
DOOR HARDWARE
A. MANUFACTURERS: SUBJECT TO COMPLIANCE WITH REQUIREMENTS, PROVIDE PRODUCTS BY ONE OF THE FOLLOWING: HINGES: HAGER COMPANIES, MCKINNEY PRODUCTS COMPANY, DIV. OF ESSEX INDUSTRIES, INC., STANLEY COMMERCIAL HARDWARE, DIV. OF THE STANLEY WORKS.
B. CONTINUOUS GEARED HINGES ON ALL ALUMINUM AND EXTERIOR DOORS SELECT PRODUCTS LIMITED SL11HD, NO SUBSTITUTION.
C. STANDARDS: COMPLY WITH BUTTS AND HINGES: BHMA A156.1, TEMPLATE HINGE DIMENSIONS: BHMA A156.7, SELF-CLOSING HINGES AND PIVOTS: BHMA A156.17.
D. LOCK AND LATCHES BORED (CYLINDRICAL) LOCKS: HEAVY DUTY LOCKS WITH LEVER HANDLES, DEADLOCKING LATCH BOLT, AND CORE TO MATCH EXISTING KEYING SYSTEM. BHMA A156.2, GRADE. PROVIDE CYLINDERS TO MATCH EXISTING KEYING SYSTEM.

E. ELECTRIC STRIKE: HES, 12V DC, BHMA GRADE 1 STRIKE. PROVIDE ALL STRIKES WITH SMART PAC III ACCESSORY IN-LINE POWER CONTROL, BRIDGE RECTIFIER, SURGE PROTECTION, HARDWARE - MULLION STRIKE WITH KEY ACCESS: 9600 SERIES GENESIS III.
F. CLOSERS MANUFACTURERS: SUBJECT TO COMPLIANCE WITH REQUIREMENTS, PROVIDE PRODUCTS BY ONE OF THE FOLLOWING: SURFACE-MOUNTED CLOSERS: LCN CLOSERS; AN INGERSOLL-RAND COMPANY), SARGENT.
Models:
INTERIOR 4111 281 P10
4111S CUSH 281 CPS
4111S H CUSH 281 - CPSH

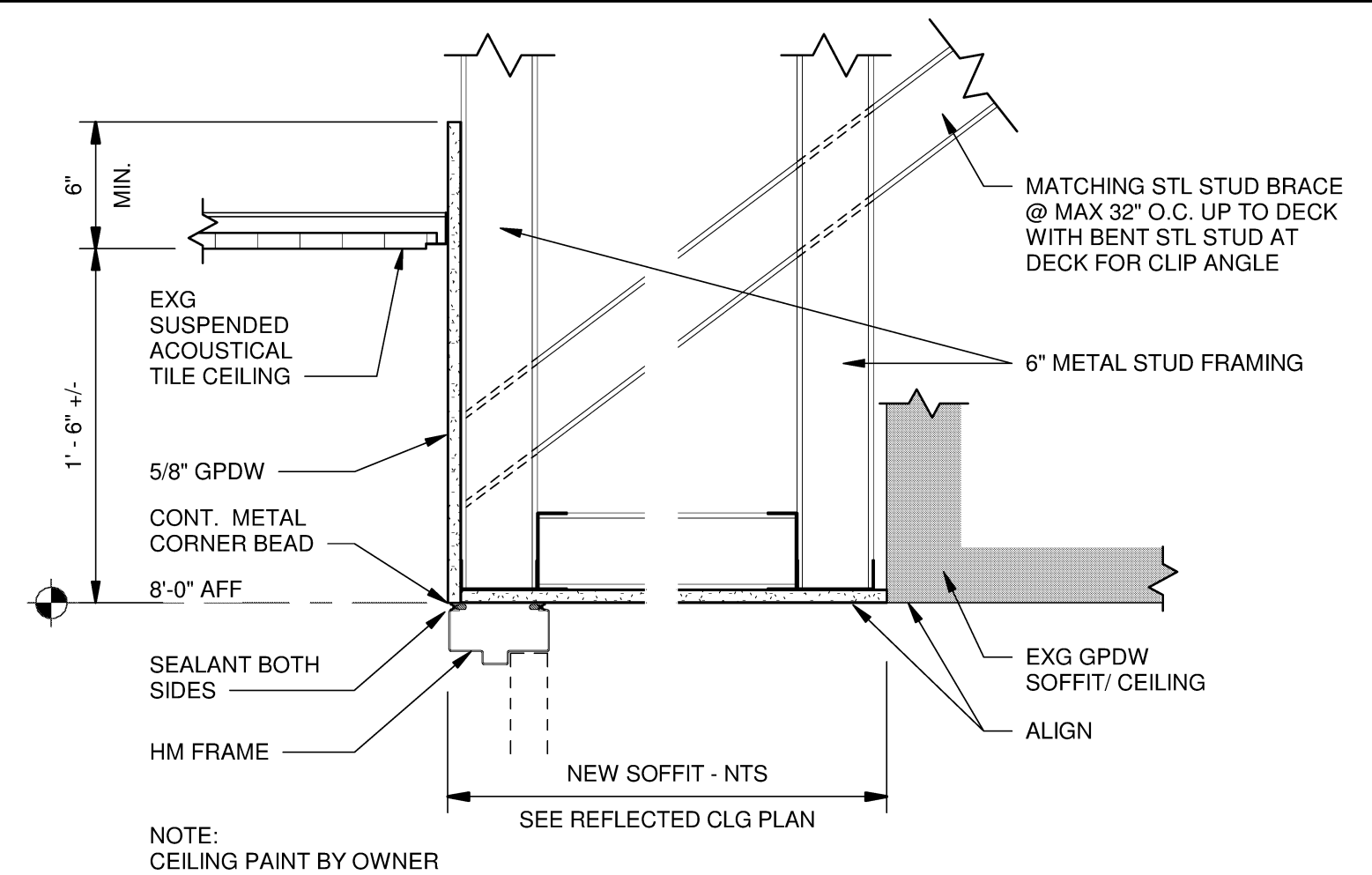
OPERATIONS NARRATIVE: DOOR ALWAYS LOCKED. EXITING BY DEPRESSING EXIT DEVICE AT ALL TIMES. DOOR MOMENTARILY UNLOCKED BY CARD READER, AND SHUNTS DOOR VIOLATION EVENT.
NOTE: CARD READER, ELECTRIC STRIKE POWER SUPPLY AND LOW VOLTAGE WIRING BY SECURITY VENDOR.



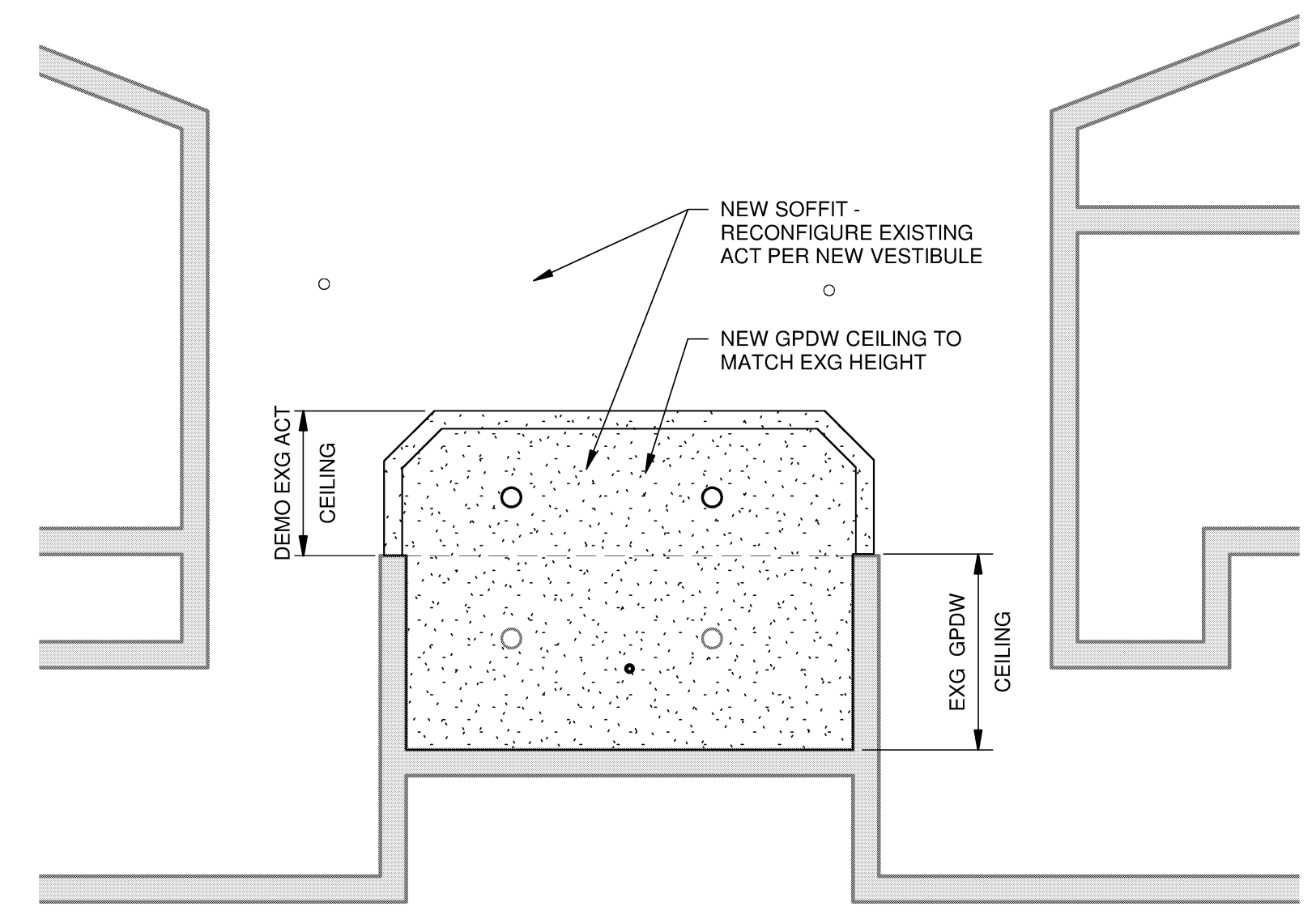
C1 JAMB DETAIL @ EXISTING CMU WALL
SCALE: 1 1/2" = 1'-0"



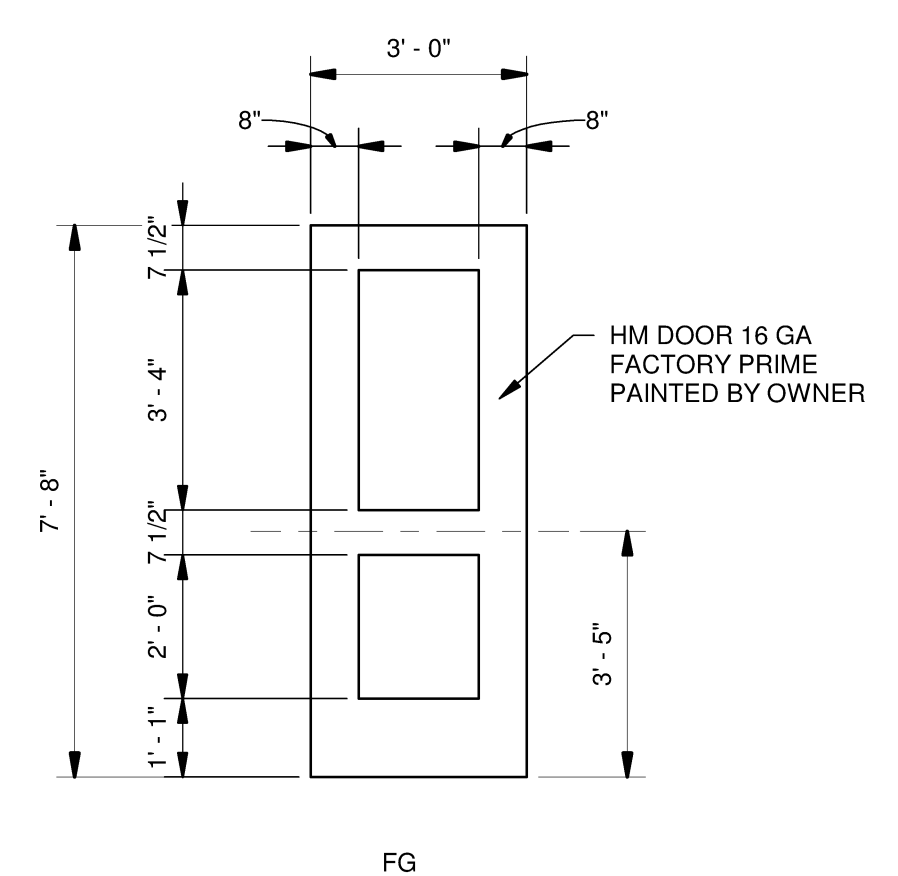
C2 JAMB DETAIL @ 135 DEGREE
SCALE: 1 1/2" = 1'-0"



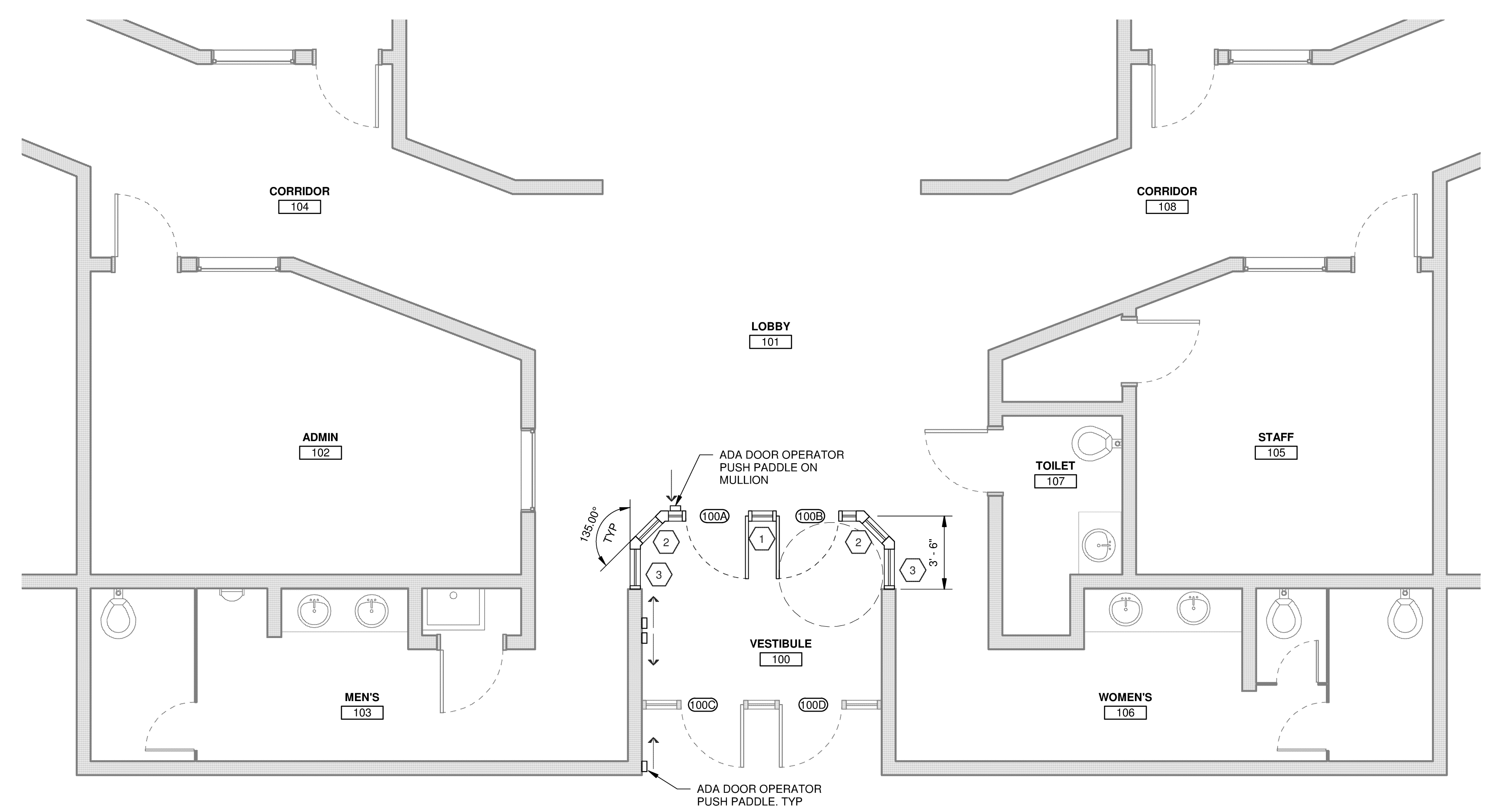
C3 SOFFIT DETAIL
SCALE: 1 1/2" = 1'-0"



C4 FIRST FLOOR CEILING PLAN
SCALE: 1/4" = 1'-0"

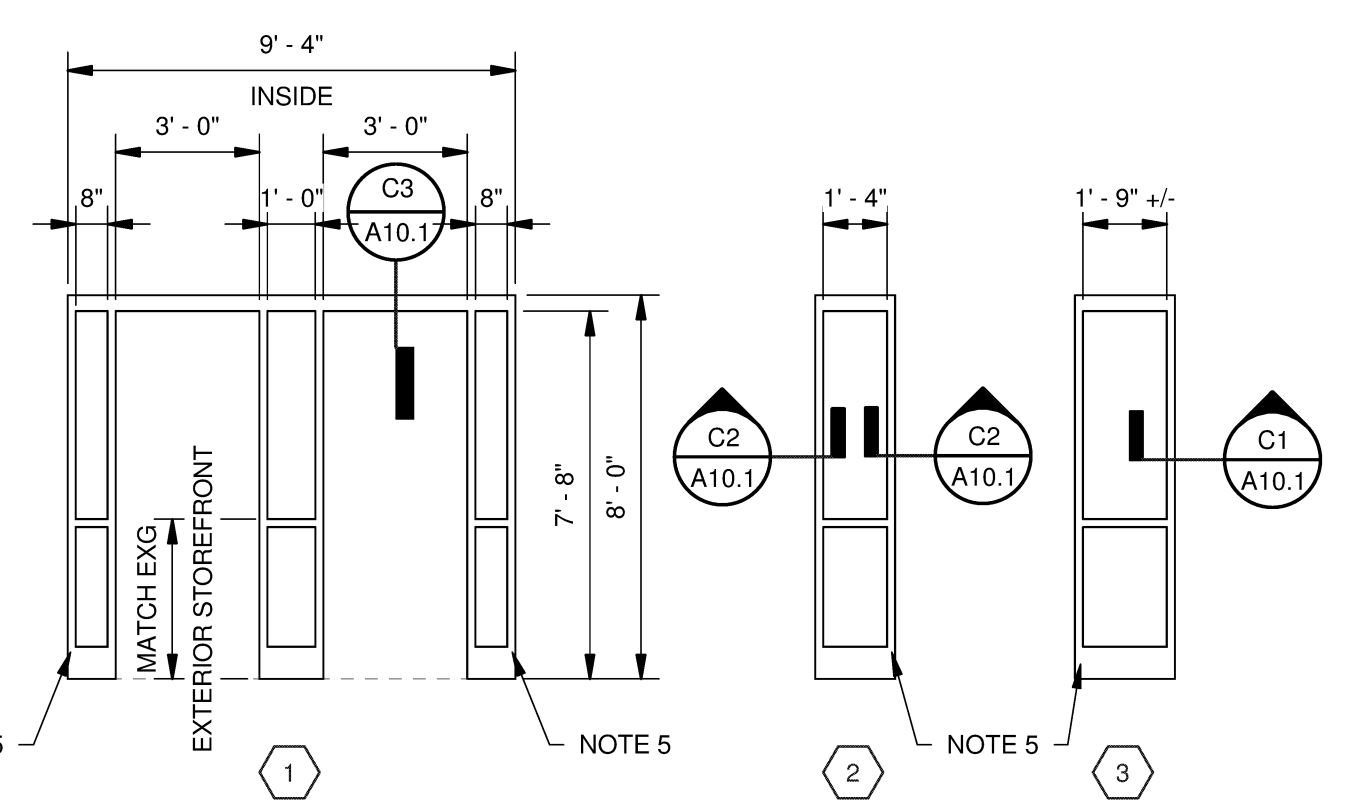


B2 DOOR TYPE
SCALE: 3/8" = 1'-0"



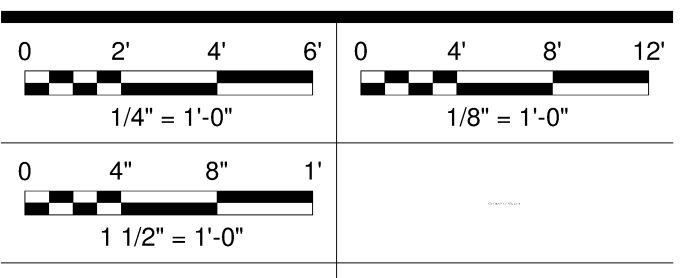
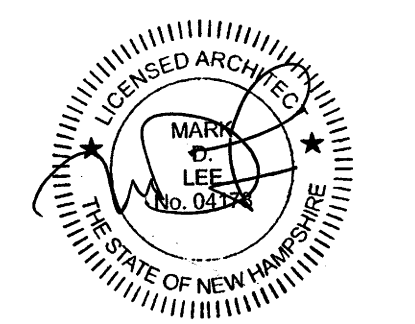
A3 FIRST FLOOR PLAN
SCALE: 1/4" = 1'-0"

- HM NOTES:
1. HM FRAME HEADS SHALL BE 4", 16 GA.
2. JAMBS AND MULLIONS SHALL BE 2", 16 GA UNLESS NOTED OTHERWISE.
3. BASES OF SIDELITES SHALL BE 8", 16 GA UNLESS NOTED OTHERWISE.
4. ALL GLAZING WITHIN HM FRAMES FOR DOORS INCLUDING SIDELITES SHALL BE 5/16" TEMPERED.
5. OUTSIDE CORNERS AT 135 DEGREE, PROVIDE 16 GA INFILL WITH CONT. WELD, GRIND SMOOTH.
6. FACTORY PRIME FRAMES - PAINT BY OWNER.



A1 DOOR FRAME TYPES
SCALE: 1/4" = 1'-0"

Issues and Revisions table with columns for Date and Description.



PA/PE: MDL © 2018
Drawn By: NAB Harriman Associates

FLOOR PLAN & DETAILS

A10.1