

HARRIMAN

AUBURN PORTLAND PORTSMOUTH BOSTON

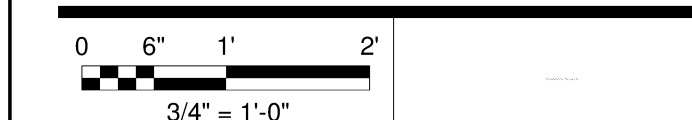
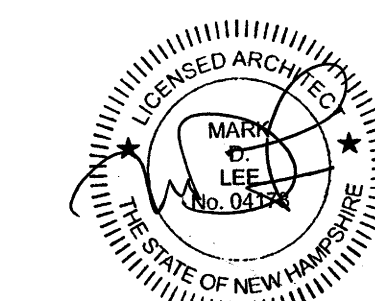
DOVER SCHOOL DISTRICT
WOODMAN PARK SCHOOL
VESTIBULE SECURITY
RENOVATION

DOVER, NEW HAMPSHIRE

Harriman Project No.	18360
Key Plan	Proj North



Issues and Revisions	
Date	Description
06-07-18	CONSTRUCTION DOCUMENTS



PA / PE: MDL	© 2018
Drawn By: NAB	Harriman Associates

MISCELLANEOUS
DETAILS &
SPECIFICATIONS

A10.2

SPECIFICATIONS:

ALL WORK SHALL CONFORM TO ALL STATE AND LOCAL CODES AND ORDINANCES AS OF DATE OF PERMIT. GENERAL CONTRACTOR SHALL OBTAIN PROPER PERMITS AND ALLOW ACCESS TO LOCAL AUTHORITIES FOR INSPECTIONS. PERMIT COST ASSUMED TO BE WAIVED DUE TO BEING A PUBLIC PROJECT.

STATE OF NEW HAMPSHIRE CURRENT BUILDING CODES
STATUTORY AUTHORITY: RSA 155-A: 10 INCLUDING AMENDMENTS TO THE STATE BUILDING CODE MANUALS RULES
BCR 301 PURPOSE
BCR 302 DEFINITIONS OF TERMS
BCR 303 INTERNATIONAL BUILDING CODE 2009
BCR 304 INTERNATIONAL PLUMBING CODE 2009
BCR 305 INTERNATIONAL MECHANICAL CODE 2009
BCR 306 INTERNATIONAL ENERGY CONSERVATION CODE 2009
BCR 307 NATIONAL ELECTRICAL CODE 2014
BCR 309 INTERNATIONAL EXISTING BUILDING CODE 2009

ARCHITECTURAL WOODWORK

SOLID-SURFACING-MATERIAL COUNTERTOPS
A. QUALITY STANDARD: COMPLY WITH AIA'S STANDARDS SECTION 11 - COUNTERTOPS REQUIREMENTS FOR COUNTERTOPS
B. GRADE: CUSTOM. MATERIAL THICKNESS: 1/2 INCH, UNLESS INDICATED OTHERWISE
C. CONFIGURATION: PROVIDE COUNTERTOPS WITH FRONT AND BACKSPLASH STYLE WITH FRONT STRAIGHT, 1/4-INCH RADIUS AT TOP. BACKSPLASH: PROVIDE INTEGRAL COVE WHERE BACKSPLASH MEETS THE TOP, CHEMICALLY BONDED, FLAT, SLIGHTLY EASED AT CORNER FOR TOP OF BACKSPLASH, 3/4-INCH-THICK, WITH SCRIBE EDGE. ENDSPLASH TO MATCHING BACKSPLASH.

JOINT SEALANTS

A. TYPE 1 - GENERAL PURPOSE EXTERIOR SEALANT: POLYURETHANE; ASTM C920, TYPE S, GRADE NS, CLASS 25; SINGLE COMPONENT. APPROVED MANUFACTURERS: SONOLASTIC NP-1; SONNEBERN, DIVISION OF CHEMREX INC., DYMOMIC; TREMCO; SIKAFLEX-1A; SIKA CORPORATION, INC.
B. TYPE 2 - GENERAL PURPOSE EXTERIOR SEALANT: SINGLE-COMPONENT, NONSAG, NEUTRAL-CURING SILICONE JOINT SEALANT; ASTM C 920, TYPE S, GRADE NS, CLASS 50, FOR USE NT. SHALL BE NON-STAINING ON GRANITE, PRECAST CONCRETE AND BRICK PER ASTM C 1248. APPROVED MANUFACTURERS: DOW CORNING CORPORATION; 795, GE ADVANCED MATERIALS - SILICONES; SILPRUF NB SCS9000, PECORA CORPORATION; 864NST.

ALUMINUM FRAMED ENTRANCES AND STOREFRONTS

ALUMINUM FRAME ENTRANCES AND STOREFRONTS SHALL WITHSTAND THE EFFECTS INDICATED AND THE REQUIREMENTS OF IBC 2009.

- ALUMINUM-FRAMED ENTRANCES AND STOREFRONTS SHALL WITHSTAND MOVEMENTS OF SUPPORTING STRUCTURE INCLUDING, BUT NOT LIMITED TO, STORY DRIFT, TWIST, COLUMN SHORTENING, LONG-TERM CREEP, AND DEFLECTION FROM UNIFORMLY DISTRIBUTED AND CONCENTRATED LIVE LOADS.
- FAILURE ALSO INCLUDES THE FOLLOWING:
 - THERMAL STRESSES TRANSFERRING TO BUILDING STRUCTURE.
 - DEFLECTION EXCEEDING SPECIFIED LIMITS.
 - FRAMING MEMBERS TRANSFERRING STRESSES, INCLUDING THOSE CAUSED BY THERMAL AND STRUCTURAL MOVEMENTS TO GLAZING.
 - GLASS BREAKAGE.
 - NOISE OR VIBRATION CREATED BY WIND AND THERMAL AND STRUCTURAL MOVEMENTS.
 - LOOSENING OR WEAKENING OF FASTENERS, ATTACHMENTS, AND OTHER COMPONENTS.
 - FAILURE OF OPERATING UNITS.
 - SEALANT FAILURE.

ACCEPTABLE MANUFACTURERS:

- KAWNEER NORTH AMERICA:
 - EXTERIOR STOREFRONT AND ENTRANCES: TRIFAB 451T FRAMES WITH 500 HEAVY WALL ENTRANCES.
- OLDCASTLE BUILDING ENVELOPE:
 - EXTERIOR STOREFRONT AND ENTRANCES: SERIES 3000 THERMAL MULTIPLANE STOREFRONT SYSTEM WITH RUGGED WIDE STILE ENTRANCES.
- TUBELITE:
 - EXTERIOR STOREFRONT AND ENTRANCES: T14000 I/O SERIES MULTIPLANE FRAMES WITH MONUMENTAL WIDE STILE ENTRANCES.

INTERIOR CONCRETE MASONRY STEEL LINTEL SCHEDULE		
MASONRY OPENING	SIZE	BEARING
4'-10" OR LESS	L4x3 1/2x5/16 (LLV)	8" MIN. ON SGMU
4'-10" TO 7'-0"	L5x3 1/2x5/16 (LLV)	8" MIN. ON SGMU
7'-0" TO 9'-0"	L6x3 1/2x3/8 (LLV)	8" MIN. ON SGMU

- NOTES:
- USE AT INTERIOR WALL LOCATIONS ONLY.
 - ONE ANGLE REQUIRED FOR EVERY 4" OF MASONRY.
 - MULTIPLE ANGLES SHALL BE WELDED BACK TO BACK.
 - "SGMU" INDICATES SOLID GROUTED MASONRY UNIT.
 - ANGLES SHALL BE ASTM A36 (Fy = 36 KSI).

A4 TYP. STEEL LINTEL SCHEDULE
SCALE: 3/4" = 1'-0"

DOOR HARDWARE

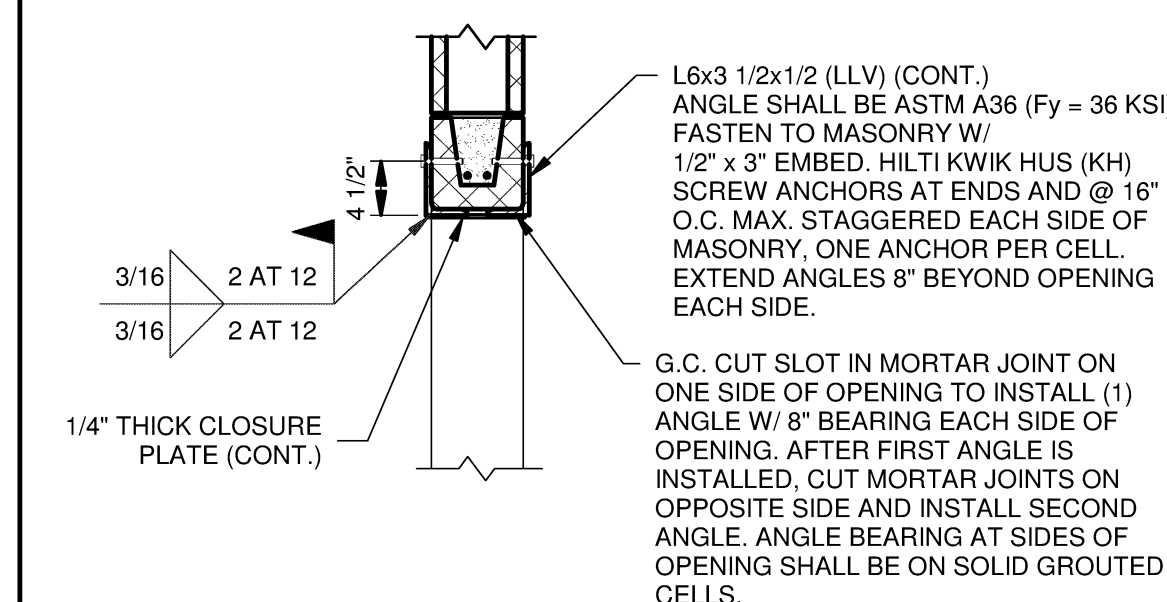
A. MANUFACTURERS: SUBJECT TO COMPLIANCE WITH REQUIREMENTS, PROVIDE PRODUCTS BY ONE OF THE FOLLOWING: HINGES: HAGER COMPANIES, MCKINNEY PRODUCTS COMPANY; DIV. OF ESSEX INDUSTRIES, INC.; STANLEY COMMERCIAL HARDWARE; DIV. OF THE STANLEY WORKS.
B. CONTINUOUS GEARED HINGES ON ALL ALUMINUM AND EXTERIOR DOORS SELECT PRODUCTS LIMITED SL11HD. NO SUBSTITUTION.
C. STANDARDS: COMPLY WITH BUTTS AND HINGES: BHMA A156.1. TEMPLATE HINGE DIMENSIONS: BHMA A156.7. SELF-CLOSING HINGES AND PIVOTS: BHMA A156.17.
D. LOCK AND LATCHES BORED (CYLINDRICAL) LOCKS: HEAVY DUTY LOCKS WITH LEVER HANDLES, DEADLOCKING LATCH BOLT, AND CORE TO MATCH EXISTING KEYING SYSTEM. BHMA A156.2, GRADE. PROVIDE CYLINDERS TO MATCH EXISTING KEYING SYSTEM.
E. ELECTRIC STRIKE: HES, 12V DC, BHMA GRADE 1 STRIKE. PROVIDE ALL STRIKES WITH SMART PAC III ACCESSORY IN-LINE POWER CONTROL, BRIDGE RECTIFIER, SURGE PROTECTION.
HARDWARE MULLION STRIKE WITH KEY ACCESS: 9600 SERIES GENESIS III.
F. CLOSERS MANUFACTURERS: SUBJECT TO COMPLIANCE WITH REQUIREMENTS, PROVIDE PRODUCTS BY ONE OF THE FOLLOWING: SURFACE-MOUNTED CLOSERS: LCN CLOSERS; AN (INGERSOLL-RAND COMPANY); SARGENT.
Models:

INTERIOR	4111	281 P10
	4111S CUSH	281 CPS
	4111S H CUSH	281 -CPSH

G. PROVIDE REMOVABLE ELECTRIC HARDWARE MULLION, ELECTRIC STRIKE (RHRB LEAF - FAIL SECURE),

OPERATIONS NARRATIVE: DOOR ALWAYS LOCKED. EXITING BY DEPRESSING EXIT DEVICE AT ALL TIMES. DOOR MOMENTARILY UNLOCKED BY CARD READER, AND SHUNTS DOOR VIOLATION EVENT.

NOTE: CARD READER, ELECTRIC STRIKE POWER SUPPLY AND LOW VOLTAGE WIRING BY SECURITY VENDOR.



SECTION TO BE USED AT INTERIOR WALLS AT G.C. OPTION WHEN ABOVE CEILINGS AND WITH PRIOR APPROVAL FROM ARCHITECT

A5 OPTIONAL LINTEL AT MASONRY OPENING
SCALE: 3/4" = 1'-0"